

The BelGAS^{CP} P8200 fuel gas shut-off valve, designed primarily for fuel gas scrubber applications, allows instrument gas flow in liquid level applications. Simple mechanical operation closes supply gas as liquid levels increase. Additional customization options available such as float length and seal material.

Applications

- Fuel Gas Scrubbers

Features

- Works with any fluid with specific gravity greater than 0.8
- Various displacer lengths available for shorter or taller scrubber pots

Specifications

Max. Working Pressure	250 PSIG (Max)
Temperature Range	-20° to 150°F (-29° to 66°C) With Nitrile Seat
	0° to 300°F (-18° to 149°C) With Fluorocarbon Seat
Approximate Weight*	4 lbs.

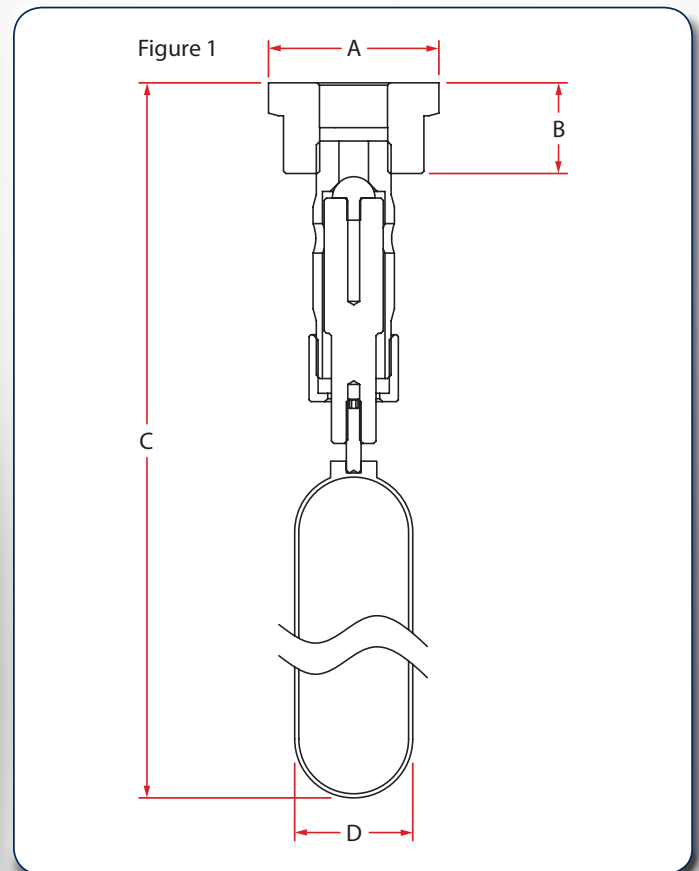
* Weight will vary between 3 and 5 lbs. depending on construction material and displacer length.

Materials of Construction

Part	Material
Connection Plug	Steel or Stainless Steel
Body	Steel or Stainless Steel
Seat	Nitrile or Fluorocarbon
Shaft	Nylon or Acetal
Cap	Acetal
Set Screw	Steel or Stainless Steel
Displacer	Stainless Steel

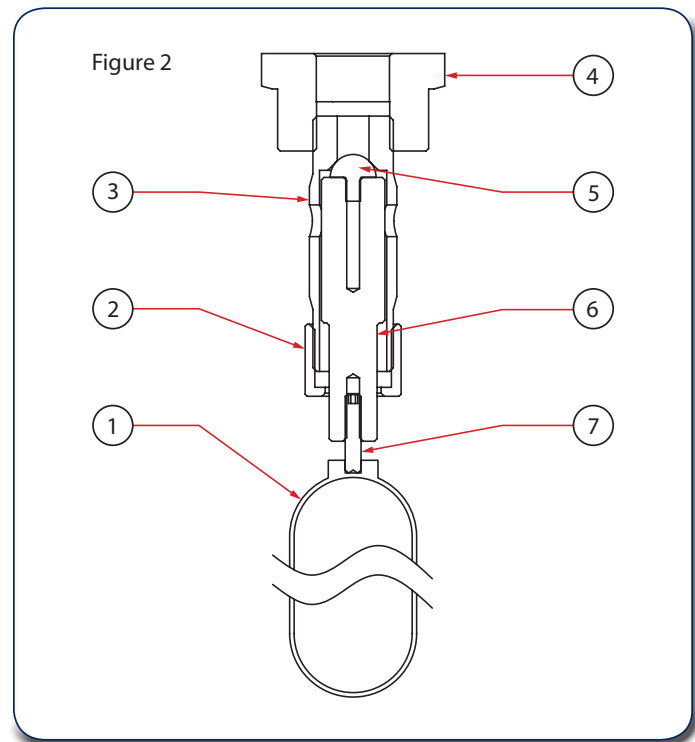
Dimensional Data (in.)

Displacer Length	6	8	12	14	16	18
A	2.89					
B	1.39					
C	12.27	14.27	18.27	20.27	22.27	38.27
D	2					



P8200 Parts List

Item	Description	Qty.	Part Number	
1	Float	1	6"	715-000-100
			8"	715-000-101
			12"	715-000-102
			14"	715-000-103
			16"	715-000-104
			32"	715-000-105
2	Cap	1	610-105-000	
3	Body	1	Steel	664-598-000
			Stainless Steel	664-598-001
4	Connection Bushing	1	Steel	608-093-000
			Stainless Steel	608-093-001
5	Rubber Seat	1	Nitrile	650-212-000
			Fluorocarbon	650-212-001
6	Shaft	1	Nylon	651-114-000
			Acetal	651-114-001
7	Set Screw	1	Steel	648-592-000
			Stainless Steel	648-592-001



Part Number Matrix

P8200	11	0	0	0					S	
Port Size	11				0	1	0	2	4	5
1" x 2" NPT										
Shaft Material										
Nylon					0					
Acetal					1					
Seat Material										
Nitrile							0			
Fluorocarbon							2			
Construction Material*										
Steel								4		
Stainless Steel								5		
*Construction material includes Connection Plug, Body and Set Screw.										
Displacer Size (2" O.D. x Length)										
6"									Q	
8"									R	
12"									S	
14"									T	
16"									U	
32"									V	
Displacer Material										
Stainless Steel										S

Contact your BelGAS^{CP} representative or go to www.BelGASCP.com to learn more about our products.



**Trusted.
Proven.
Better.**

8019 Ohio River Blvd.
Newell, WV 26050
Toll Free: 800-727-5646
sales@belgas.net
www.BelGASCP.com

2221 SE 69th Street
Oklahoma City, OK 73149
Toll Free: 800-833-3127