

The BelGAS^{CP} PL91/92 is a pneumatic pilot regulator designed to be used in conjunction with a control valve. This pilot regulator is designed to withstand the severely corrosive mediums associated with the oil and gas industry. The PL91 is an indirect acting pilot regulator that is designed to be paired with a pressure closing control valve. The PL92 is a direct acting pilot regulator that is designed to be paired with a pressure opening control valve.

Applications

- Separators
- Liquid Level Controls
- Scrubbers
- Wellheads

Features

- **Single Adjusting Screw:** Changing the set point of the unit's performance is possible by rotating the adjusting screw.
- **Accurate and Proportional Control:** Each turn on the adjustment screw results in a known change of the signal pressure set point. Each change in the signal pressure results in a proportional change in the output pressure.
- **Remote Installation:** Pipe the unit as close to or as far away as needed from the control valve it is driving.
- **Field Reversible:** Change an indirect operating unit to direct operating without removing the unit from the field.



Materials of Construction

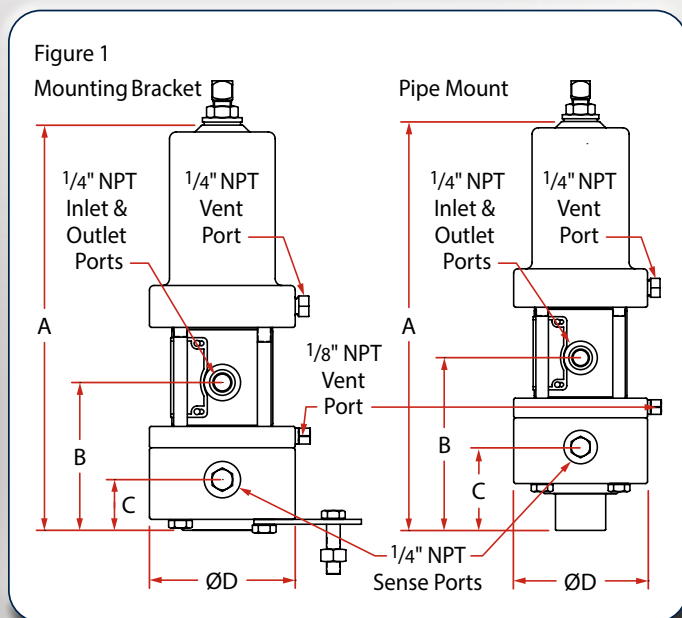
Part	Material
Bellows Assembly	Stainless Steel
Bonnet	Steel
Diaphragm	Nitrile or Fluorocarbon
Lower Housing	Steel or Stainless Steel
Main Body & Supply Body	Steel or Stainless Steel

Specifications

Supply Pressure	20 to 30 PSIG	
Media	Liquid or Gas	
Configurations	Direct or Indirect Action	
Mounting Options	Mounting Bracket or Pipe Mount	
End Connections	1/4" NPT	
Temperature	Nitrile	-40 to 180°F (-40 to 82.2°C)
	Fluorocarbon	0 to 300°F (0 to 148.9°C)
Sensitivity/Adjustment	85-2500 PSIG	
Sense/Output Pressure Change	1 PSIG	
Set Point Change	40 PSIG Per Turn	

Dimensional Data (in.)

Mounting Options	A	B	C	ØD
Mounting Bracket	11.1	4.1	1.4	4.0
Pipe Mount	12.2	5.2	2.5	4.0



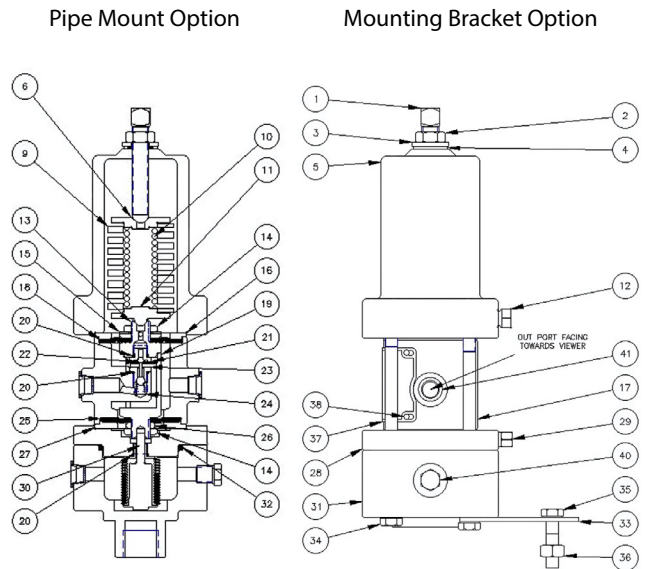
PL91/92 Part Number Matrix

	PL9	0	02		00	
Style						
Indirect Action	1					
Direct Action	2					
Port Size						
1/4" NPT			02			
End Connections						
Mounting Bracket				B		
Pipe Mount				P		
Body Material						
Steel					1	
Stainless Steel					5	
Seat Material						
Nitrile						0
Fluorocarbon						2
Pressure Range						
85-500 PSIG						050
85-750 PSIG						075
125-1500 PSIG						150
200-2500 PSIG						250

PL91/92 Parts List & Repair Kits

Item	Description	Qty.	Part Number
1	Adjustment Screw - 750 & 1500 PSIG	1	648-586-000
	Adjustment Screw - 2500 PSIG	1	648-586-001
	Adjustment Screw - 500 PSIG	1	648-586-002
2	Hex Nut	Steel	634-185-001
		Stainless Steel	634-185-000
3	Washer	1	662-236-003
4*	Thread Seal	1	662-245-000
5	Bonnet	1	604-280-000
6	Upper Spring Plate	Steel	638-098-000
		Stainless Steel	638-098-001
9	Range Spring	1	655-793-000
10	250 Range Spring	1	655-793-001
11	Lower Spring Plate	Steel	638-099-000
		Stainless Steel	638-099-001
12	Bonnet Breather Plug	1	639-144-000
13	Seat Housing	1	629-268-001
14	Diaphragm Nut	Steel	634-222-000
		Stainless Steel	634-222-001
15	Relief Diaphragm Spacer	1	654-197-000
16	Relief Diaphragm Plate	Steel	638-100-000
		Stainless Steel	638-100-001
17	Supply Body	Steel	664-458-000
		Stainless Steel	664-458-001
18*	Relief Diaphragm	Nitrile	618-116-000
		Fluorocarbon	618-116-001
19	Stem	Steel	689-025-000
		Stainless Steel	689-025-001
20*	O-ring	Nitrile	649-000-005
		Fluorocarbon	649-000-137
21*	Relief Seat	1	688-077-001U
22*	Pilot Plug	1	813-053-000
23*	Orifice Seat	1	650-197-000
24*	Orifice Spring	Stainless Steel	655-786-000
		Inconel®	655-786-001
25*	Non-relieving Diaphragm	Nitrile	618-118-000
		Fluorocarbon	618-118-001
26	Non-relieving Diaphragm Spacer	Steel	654-198-000
		Stainless Steel	654-198-001
27	Non-relieving Diaphragm Plate	Steel	638-097-000
		Stainless Steel	638-097-001
28	Lower Housing	Steel	629-265-000
		Stainless Steel	629-265-001
29	Housing Breather Plug	Steel	639-148-000
		Stainless Steel	639-148-001
30	Bellows Assembly - 500-750 PSIG	1	713-001-000
	Bellows Assembly - 1500 PSIG	1	713-001-001C
	Bellows Assembly - 2500 PSIG	1	713-001-002
31	Main Body for Mounting Bracket	Steel	664-459-000
		Stainless Steel	664-459-001

Figure 2



Item	Description	Qty.	Part Number
31	Main Body for Pipe Mount	Steel	664-460-000
		Stainless Steel	664-460-001
32*	O-ring	Nitrile	649-000-152
		Fluorocarbon	649-313-000
33	Mounting Bracket	1	607-312-000
34	Bolt	4	648-467-011
35	Cap Screw - Mounting Bracket	2	648-466-011
36	Hex Nut - Mounting Bracket	2	634-216-000
37	Nameplate	1	632-590-000
38	Drive Screw	4	648-464-000
39	Tag (Not Shown)	1	211B
40	Plug 1/4" NPT	1	639-145-000

*Parts Included in Repair Kit

Repair Kits		
Seat/Body Material	Qty.	Part Number
Nitrile/Steel	1	971-L91-000
Nitrile/Stainless Steel		971-L91-001
Fluorocarbon/Steel		971-L91-002
Fluorocarbon/Stainless Steel		971-L91-003



**Trusted.
Proven.
Better.**

8019 Ohio River Blvd.
Newell, WV 26050
Toll Free: 800-727-5646
sales@belgas.net
www.BelGASCP.com

2221 SE 69th Street
Oklahoma City, OK 73149
Toll Free: 800-833-3127